



### Michigan 400 water softener

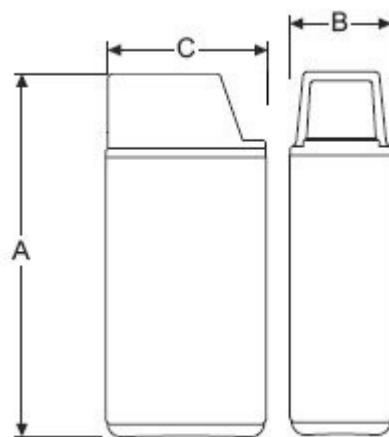
Timeless water-softener with a large ion resin cylinder for continuously smooth functioning. Modern digital technology for regeneration control.

#### Specifications:

- Modern and functional, all in 1 model
- Solid resin-tank, with high quality ion-resin
- Corrosion proof, plastic salt reservoir end housing
- Automatic “bypass” when re-generating
- Digitally programmable with monitor function

#### Technical data:

- 10 litre ion
- Connections 1"
- Water capacity 400 litre/hour
- Peak water capacity 600 litre/hour
- Salt usage per regeneration 1,5-2 kg
- Water usage per regeneration 80-100 ltr
- Salt container 25 kg
- 12 Volt



size: AxBxC 670x330x470mm

#### Computer controlled re-generation, with free programmable:

- Volume driven regeneration
- Time driven regeneration
- Volume with a time delayed regeneration