

Michigan 900 Water softener



Timeless water softener with a large ion resin cylinder for continuously smooth functioning. Modern digital technology for regeneration control.

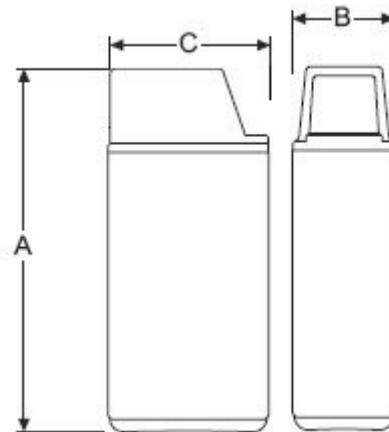
Specifications:

- Modern and functional, all in 1 model
- Solid resin-tank, with high quality ion-resin
- Corrosion-proof, plastic salt reservoir and housing
- Automatic “bypass” when re-generating
- Digitally programmable with monitor function



Technical data:

- 20 litre ion
- Connections 1"
- Water capacity 900 litre/hour
- Peak water capacity 1200 litre/hour
- Salt usage per regeneration 3-4 kg
- Water usage per regeneration 110-125 ltr
- Salt container 75 kg
- 12 Volt



size: AxBxC 1110x325x520mm

Computer controlled re-generation, with free programmable:

- Volume driven regeneration
- Time driven regeneration
- Volume with a time delayed regeneration